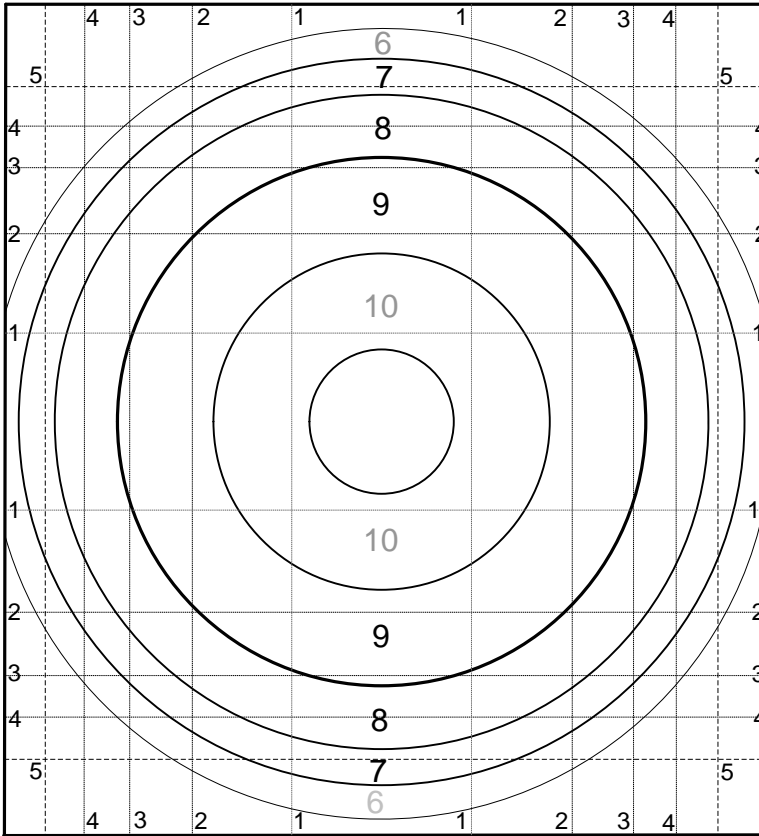
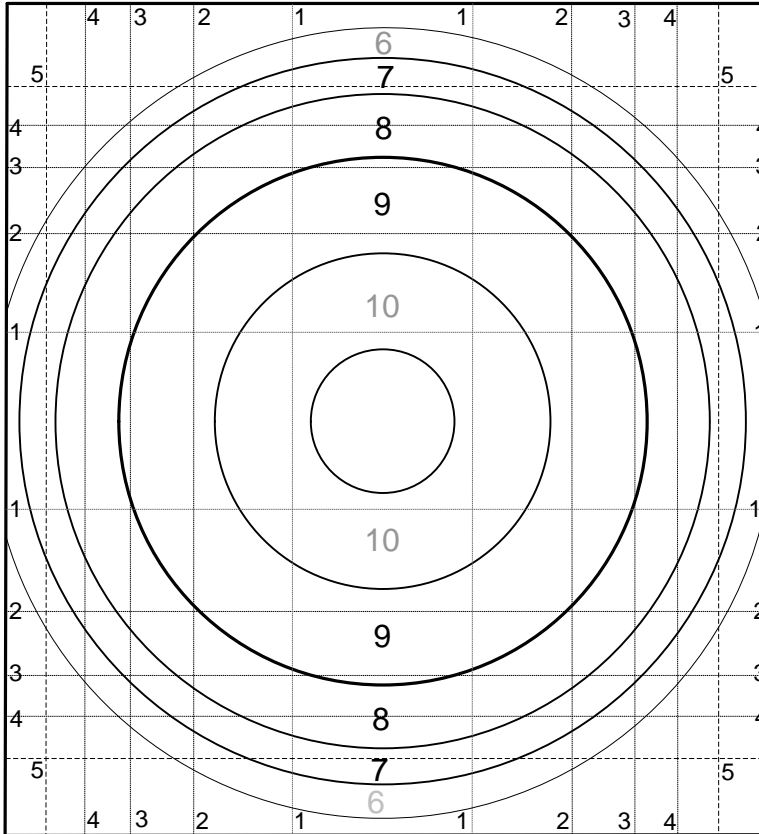


# 200 Yards Slow Fire



Place		Date										
Target No.		Relay	Time									
Rifle		Ammunition										
Light Direction	Wind Direction	MM / Sights										
Temp	MPH	Mirage	F									
Elevation Zero		Windage Zero										
Elevation Used		Windage Used										
0-1-T90%	SS1 SS2	1	2	3	4	5	6	7	8	9	10	TOTAL
Elevation												
Windage												
Call												
Value												TOTAL
GRP 8/04/05	SS3 SS4	11	12	13	14	15	16	17	18	19	20	
Elevation												
Windage												
Call												
Value												Score
Reloading Information		Sights										
Brass	Primers	E on										
Powder	Gr. Wt.	W on										
Bullet	OAL											

# 200 Yards Slow Fire



Place		Date										
Target No.		Relay	Time									
Rifle		Ammunition										
Light Direction	Wind Direction	MM / Sights										
Temp	MPH	Mirage	F									
Elevation Zero		Windage Zero										
Elevation Used		Windage Used										
0-1-T90%	SS1 SS2	1	2	3	4	5	6	7	8	9	10	TOTAL
Elevation												
Windage												
Call												
Value												TOTAL
GRP 8/04/05	SS3 SS4	11	12	13	14	15	16	17	18	19	20	
Elevation												
Windage												
Call												
Value												Score
Reloading Information		Sights										
Brass	Primers	E on										
Powder	Gr. Wt.	W on										
Bullet	OAL											